



Quotation date: _____
Consultation was carried out by
Staff at the medical supplies shop: _____
PRO ACTIV field representative: _____

Order date: _____
 according to GTC PRO ACTIV GmbH

Medical suppliers/company address:

Cust. no.: _____
 Name: _____
 Street: _____
 Postcode / city: _____
 Phone: _____
 Fax: _____
 E-Mail: _____
 Contact: _____

TRAVELER 4you Ergo
Equipment "Edition PURE"
extra light equipment with a total wheelchair weight from 10 kg
with individual frame geometry made to measure

A9030105000 € 5,460.00

Invoicing address: **same as company address**
 other (see below)

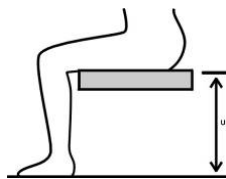
Cust. no.: _____
 Name: _____
 Street: _____
 Postcode / city: _____
 Phone: _____
 Fax: _____
 E-Mail: _____
 Contact: _____

Shipping address: **same as company address**
 Other (see below)

Name: _____
 Street: _____
 Postcode / city: _____

Customer name/commission:

Surname, forename: _____
 Street: _____
 Postcode / city: _____
 Phone: _____
 Fax: _____
 E-Mail: _____
 D.O.B: _____
 Paying organisation: _____



Body height: _____ cm
 Weight: _____ kg
 Lower leg length: _____ cm
 (anatomic dimension: hollow of the knee to the foot sole):
 Indication: _____

This information is mandatory for further processing.



- Equipment package

A9030105000-010

€ 1,390.00

With the "PURE" equipment package, the product is approved up to 100 kg load.

The package includes the following backrest equipment, clothes guard, seat cover, brake system and footrest for TRAVELER pure:

Carbon side panel, with integrated clothing guard



A9015400028

Clothes guard and side panel in one piece, individually manufactured. Backrest permanently bolted, cannot be folded, backrest angle 90° to the floor, adjustable in 5 positions in 4° steps, wheel cover runs contour-parallel to the drive wheel tyres at a distance of approx. 8 - 12 mm.



Adaptable back with "light" back padding



A9000802320-K002

Back cushion with extra thin upholstery for easy, space-saving folding of the wheelchair. Cover fabric: black, breathable, open surface. Cushion thickness: 9 mm. Equipment without backrest crossbar



Open belt system



A9000801011-K



Integrated parking brake



A9035705000

Brake lever fixed under the upper frame tube



Continuous footrest



A9030601000-K

with tubular resting bracket, foldable, removable. When folding the wheelchair, the footrest also folds completely from USL 37 cm.. With foot support area $x < 22$ cm the foot bracket is designed to be parallel.



Footrest without protrusion, rounded

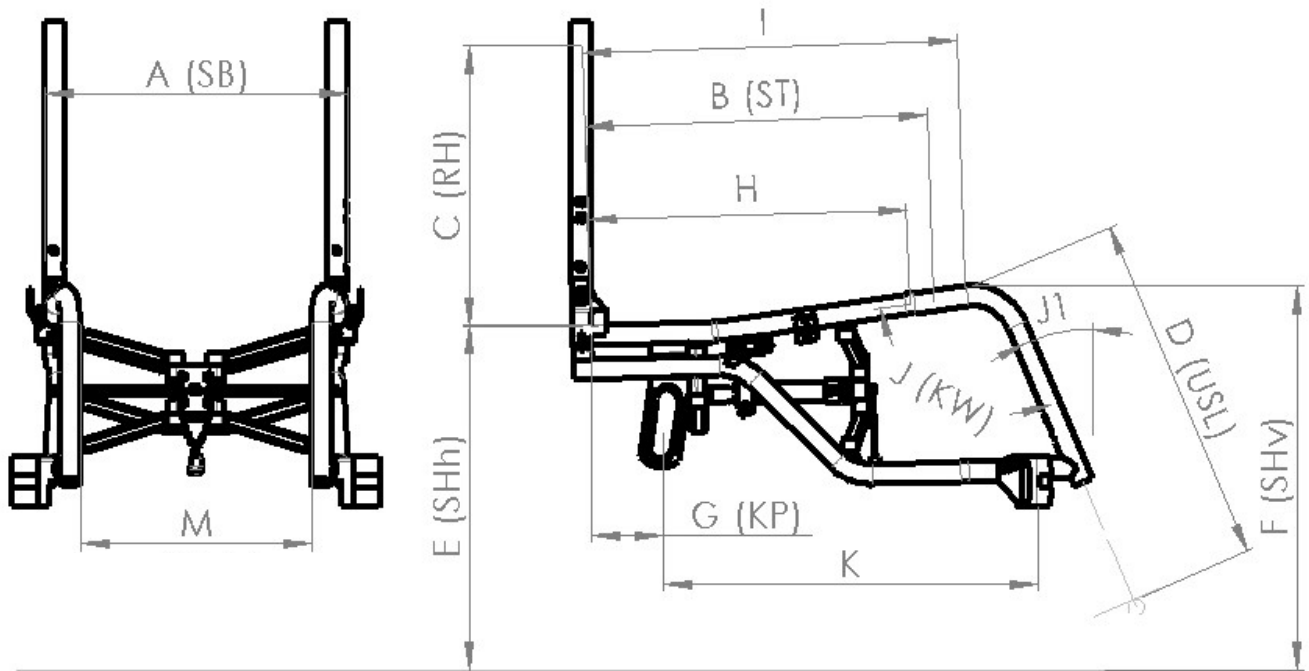


A9000610015

Lightweight design with radius end (R12mm) in the front area and without protrusion to reduce the overall wheelchair length by 30mm to improve vehicle loading. Depth: 15 cm



Basic size



Wheelchair dimensions:

- | | |
|---|---|
| <p>A: SB seat width _____ cm
(min. 33 – max. 42 cm)</p> <p>B: ST seat depth _____ cm
(min. 35 cm)</p> <p>C: RH back height _____ cm
(ab RH 22 cm)</p> <p>D: USL lower leg length _____ cm</p> <p>E: SHh seat height back _____ cm
(min. 39 – max. 47 cm)
for 24" drive wheels</p> <p>F: SHv seat height front _____ cm
(min. 42 – max. 52 cm)</p> <p>G: KP tipping point _____ cm
(inner edge rear tube to
axis middle drive wheel)
(KP min. 3 – max. 11 cm)</p> <p>Mounting wheelbase extension
from KP 7 cm possible</p> | <p>H: Start frame retraction _____ cm
(possible from ST 34 cm)
(I – min. 6 cm)</p> <p>I: Frame length to the
front frame bend _____ cm
(min. 41 cm – max. 50 cm)</p> <p>J: KW knee angle _____ °
(from 90°)</p> <p>or</p> <p>J1: Angle of the front
Frame tube to the
vertical position _____ °
(recommended > 10°)</p> <p>K: Position of the
steering wheel bearing block _____ cm</p> <p>Frame front:</p> <p><input type="checkbox"/> Straight (without retraction)
USL-width = SB – 5 cm</p> <p><input type="checkbox"/> V-Shape (7°)</p> <p><input type="checkbox"/> with frame retraction
Front end parallel, G-shape
min. USL width SB - 11 cm
Please specify USL value:</p> <p>M: lower leg width _____ cm</p> |
|---|---|

**Dimensional tolerances according to DIN EN ISO 13920 apply for the design
(Dimensions in mm)**

Degree of accuracy	Up to 30	More than 30 to 120	More than 120 to 400	More than 400 to 1000
C	+/- 1	+/- 3	+/- 4	+/- 6

Frame colour – one-colour design

Information about current colour designs and example images at: www.proactiv-gmbh.com/colours/

frame colour: Selection from colour palette

Frame colour is specified when ordering

A9000100170-000

Raw, blasted, not coated

A9000100170-020

Note: In connection with moisture, e.g. hand perspiration, dark aluminium discolouration may occur.

Blasted, with transparent, silk matt coating

A9000100170-021

Powder coatings

White RAL 9016

gloss A9000100170-023

matt A9000100170-123 € 40.10

Brilliant silver

gloss A9000100170-011

Anthracite RAL 7016

gloss A9000100170-001

matt A9000100170-101 € 40.10

Black RAL 9005

gloss A9000100170-003

matt A9000100170-019 € 40.10

Pure orange RAL 2004

gloss A9000100170-022

matt A9000100170-122 € 40.10

Pink magenta RAL 4010

gloss A9000100170-037

matt A9000100170-137 € 40.10

Pastel blue RAL 5024

gloss A9000100170-036

matt A9000100170-136 € 40.10

Lemon green

gloss A9000100170-005

matt A9000100170-105 € 40.10

Yellow RAL 1023

gloss A9000100170-046

matt A9000100170-146 € 40.10

Red RAL 3001

gloss A9000100170-047

matt A9000100170-147 € 40.10

Lagoon blue

gloss A9000100170-052

matt A9000100170-152 € 40.10

Athletic grey

gloss A9000100170-050

matt A9000100170-150 € 40.10

Muddy grey

gloss A9000100170-051

matt A9000100170-151 € 40.10

“Dormant” powder coatings

Deep black, silver effect

gloss A9000100170-007

Sky blue

gloss A9000100170-017

Marine blue

gloss A9000100170-045

matt A9000100170-145 € 40.10

Electric green

gloss A9000100170-015

matt A9000100170-115 € 40.10

Violet

gloss A9000100170-044

Fire red

gloss A9000100170-018

matt A9000100170-118 € 40.10

Frame colour – “liquid coating” one-colour design

€ 323.20

Storm (ice blue)

gloss A9000100170-500

matt A9000100170-501

Coffee

gloss A9000100170-520

matt A9000100170-521

Prairie (rose gold)

gloss A9000100170-504

matt A9000100170-505

Pearl (mother of pearl-white)

gloss A9000100170-524

matt A9000100170-525

Berry

gloss A9000100170-526

matt A9000100170-527

Blue ocean

gloss A9000100170-522

matt A9000100170-523

Emerald (emerald green)

gloss A9000100170-514

matt A9000100170-515

Mint

gloss A9000100170-528

matt A9000100170-529

Chilli

gloss A9000100170-516

matt A9000100170-517

Frame colour – two colour designs

Note: Frames with two colour designs in the gloss level of the design colour.

Two-colour design comprising one basic colour (on the back of the frame) and one design colour (on the front of the frame) € 248.30

Please select from the following colours:

Base colour (on the rear frame)

White RAL 9016

A9000100170-200

Brilliant silver

A9000100170-201

Anthracite RAL 7016

A9000100170-202

Black RAL 9005

A9000100170-203

Pastel blue RAL 5024

A9000100170-206

Lemon green

A9000100170-207

Yellow RAL 1023

A9000100170-208

Lagoon blue

A9000100170-212

Athletic grey

A9000100170-210

Muddy grey

A9000100170-211

Design colour (on the front frame)

Black RAL 9005

gloss A9000100170-259

matt A9000100170-260

Lemon green

gloss A9000100170-250

matt A9000100170-251

Chilli

gloss A9000100170-253

matt A9000100170-254

Pure orange RAL 2004

gloss A9000100170-255

matt A9000100170-256

Coffee

gloss A9000100170-278

matt A9000100170-279

Mint

gloss A9000100170-286

matt A9000100170-287

Emerald (emerald green)

gloss A9000100170-274

matt A9000100170-275

Storm (ice blue)

gloss A9000100170-264

matt A9000100170-265

Prairie (rose gold)

gloss A9000100170-266

matt A9000100170-267

Pearl (mother of pearl-white)

gloss A9000100170-282

matt A9000100170-283

Berry

gloss A9000100170-284

matt A9000100170-285

Blue ocean

gloss A9000100170-280

matt A9000100170-281

Colour - Attachment parts

Note: If no specifications have been made, the caster fork and bearing block are mounted in black.

Drive wheel: Aluminium rim, hub and spokes

Black A9000100171-003

Caster fork and bearing block

Silver A9000100173-011

Black A9000100173-003

Attachment parts colour design according to customer desires:

Drive wheel: Aluminium rim and design inlet¹

Pure orange RAL 2004 A9000100171-022 € 193.10

White RAL 9016 A9000100171-023 € 193.10

Frame colour A9000100171-999 € 230.80

Selection of single colour coating (deviating from the frame colour) A9000100171-998 € 267.10

Colour: _____

A9000100170-

Caster wheel: 5" aluminium rim² (3-spoke design)

Pure orange RAL 2004 A9000100174-022 € 44.40

White RAL 9016 A9000100174-023 € 44.40

Frame colour A9000100174-999 € 69.50

Selection of single colour coating (deviating from the frame colour) A9000100174-998 € 80.60

Colour: _____

A9000100170-

Special colour requests (frame or attachment parts)

Frame colour individual procurement Selection from RAL colour palette

A9000100170-100 € 383.10

Degree of gloss

gloss

matt

Colour designation

RAL number

Note: Attachment parts **not** possible in design colours

¹ Only in conjunction with Liteline hub (for drive wheel aluminium rim with 18 or 36 spokes, object).

² Only in conjunction with 5" caster wheel aluminium rim 3-spoke design easy running A9000501200* or good shock absorption A9000501210*, and also with suspension fork 5-spoke design A9000500160*

Push handles

Equipment without push handles



Included in the standard.



Back tube with integrated handles

A9000401051-K € 120.60
 Extra weight: about 80g
 straight.

Also possible with lumbar curvature:

- 1 cm
- 2 cm
- 3 cm

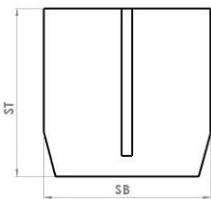


Aluminium push handles fixed mounted in back tube

A9000401050 € 120.60
 Extra weight: about 230g
 from RH 23 cm

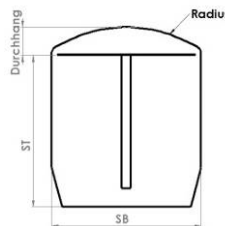


Seat cushion



Seat cushion for individual frame geometry in a rectangular contour
 Inlet: Standard

A9000805190-K € 149.20



Seat cushion for individual frame geometry with radius contour
 Inlet: Standard

A9000805320-K € 190.60

Seat cushion height:

- 3 cm 5 cm
- 4 cm 6 cm

Seat cushion for individual frame geometry in a rectangular contour
 Inlet: Anti-Decubitus

A9000805210-K € 445.10

Seat cushion for individual frame geometry with radius contour
 Inlet: Anti-Decubitus

A9000805310-K € 486.10

Seat cushion height:

- 4 cm
- 6 cm

Cover::

- Black, breathable, open surface
 - Black, breathable, closed surface
- If not specified, the cover fabric "black, breathable, open surface" is delivered.

Seat cushion is existing

Brand / type _____

Cushion height _____ cm

Wheel camber

*Total width with tight-mounted handrim

1° drive wheel camber

A9030202010
 Total width = approx. SB + 20 cm*

2,5° drive wheel camber

A9016202051
 Total width = approx. SB + 23 cm*

4° drive wheel camber

A9030202030
 Total width = approx. SB + 26 cm*

Caster wheels & caster fork

Caster fork colours, see "Component colours"

5" aluminium rim 3-spoke design "Good shock absorption"

Silver, anodised
A9000501210 € 166.30
Weight: 252 g / pcs.

black
A9000501211 € 166.30
Weight: 252 g / pcs.

with replaceable rubber 6 mm medium hard,
puncture-proof
Incl. hair guard spacer (3 mm)



Frog Legs caster wheel

4" (100 mm)
A9000501230 € 196.50
Weight: 179 g / pcs.

5" (125 mm)
A9000501232 € 196.50
Weight: 278 g / pcs.

with replaceable rubber 6 mm, puncture-proof
Colour: black, silver rim
Incl. hair guard spacer (5.3 mm)



Caster fork Standard


A9000500100-K001
with screwed axle

A9000500100-K002 € 154.80
with quick-release axle



Drive wheels

Drive wheel, 18 spoke aluminium rim

24" (ETRTO 540)
A9000203122 
Weight: 715 g / pcs.

with Liteline hub, spoked radially

Not in combination with:

- Transport restraint systems
- handbike

Only up to a body weight of 70 kg:

Sturz \ Gewicht	1°	4°	6°	8°	10°
bis 50 Kg	✓	✓	✓	✓	✓
51 - 60 Kg	✓	✓			
61 - 70 Kg	✓	✓			



Spinergy „Everyday Light Extreme“ with 12 PBO spokes; rim and hub in black, spokes white

24" (ETRTO 540)
A9000203554 € 885.00
Weight: 710 g / pcs.

Recommendation: up to 70 kg body weight,
not in conjunction with handbike/traction device
use.



Spinergy „Everyday Light Extreme“with 12 PBO spokes; rim, hub and spokes in black

24" (ETRTO 540)
A9000203552 € 885.00
Weight: 710 g / pcs

Recommendation: up to 70 kg body weight,
not in conjunction with handbike/traction device
use.



Drive wheel, 36 spoke aluminium rim

24" (ETRTO 540)
A9000203000-010
Weight: 877 g / pcs.

with Liteline hub



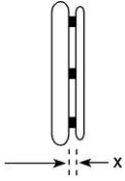
Spinergy running wheel "Spox Sport" with 24 PBO spokes; rim, hub and spokes in black

24" (ETRTO 540)
A9000203550 € 725.00
Weight: 730 g / pcs.



Handrims

x = dimension handrim attachment



Handrim attachment

General:

- x = 11 mm
- x = 19 mm

Handrim attachment

Curve handrim:

- x = 10 mm
- x = 18 mm

Unless otherwise specified, the handrim is mounted wide (19 mm / 18 mm).

Aluminium Ø 19 mm silver anodised



- 24" handrim for 24" wheel and 25" wheel
A9000205019-004
Weight: 295 g / pcs.



Titanium Ø 19 mm

- 24" handrim for 24" wheel and 25" wheel
A9000205040-004
Weight: 418 g / pcs.

€ 310.30



Curve black anodised, ergonomic handrim profile

- 24" handrim for 24" wheel and 25" wheel
H 24 mm, size S
A9000205130-004
Weight: 330 g / pcs.

€ 370.60



Tyres

Schwalbe „One“



- 24x1" (540-25)
A9000204123-004
Weight: 205 g / pcs.

€ 86.00

Colour: black
9 bar



Schwalbe "MarathonPlus Evolution" with "smart guard" puncture protection

- 24x1" (540-25)
A9000204030-014
Weight: 512 g / pcs.

€ 45.50

Colour: black
10 bar



Schwalbe "RightRun" High-pressure tyre

- 24x1" (540-25)
A9000204001-004
Weight: 294 g / pcs.

Colour: black
7.5 bar



Notes and remarks:

(Note: If you would like to choose other options, please note the items with item number from the "TRAVELER 4you Ergo" order sheet below)